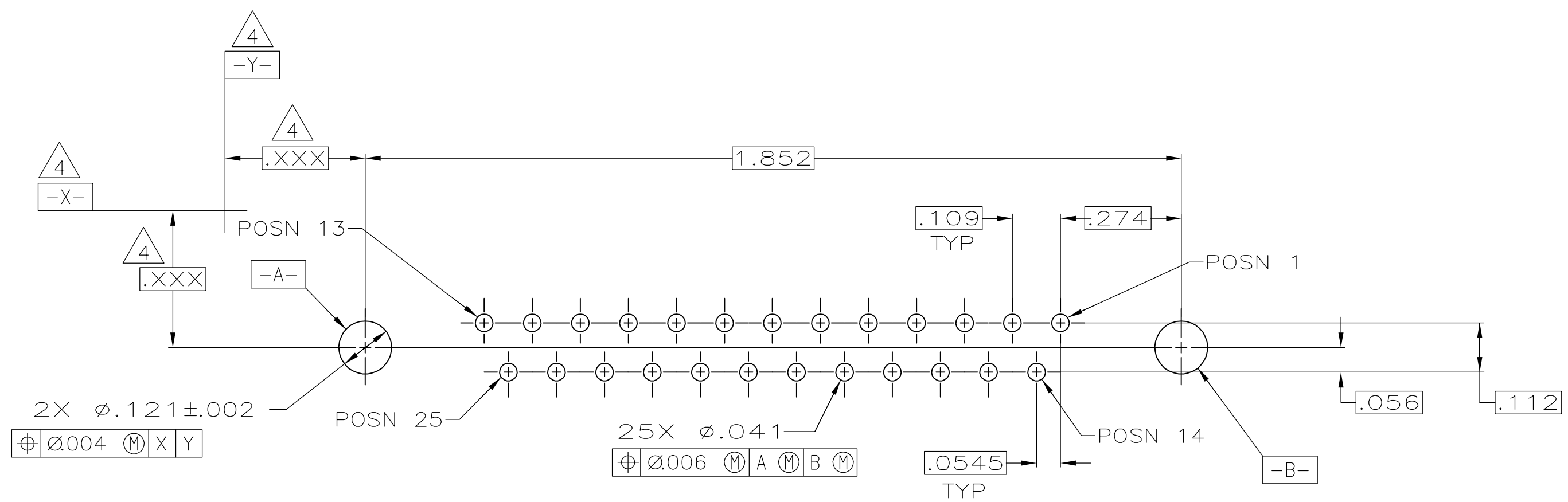
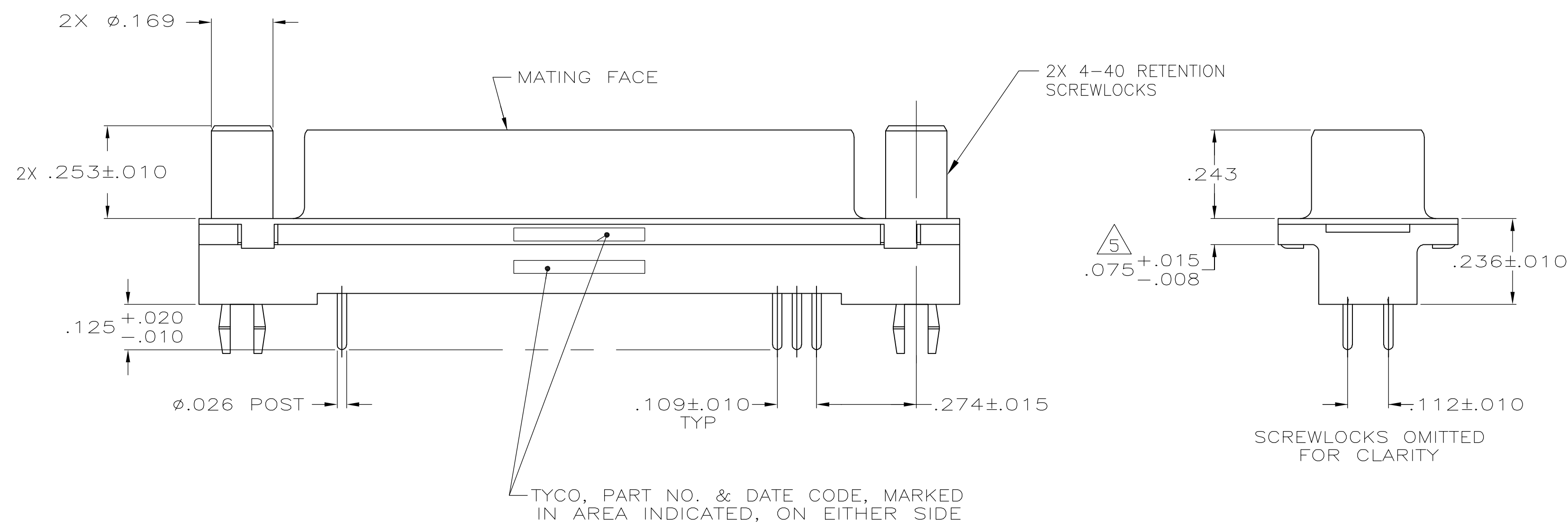
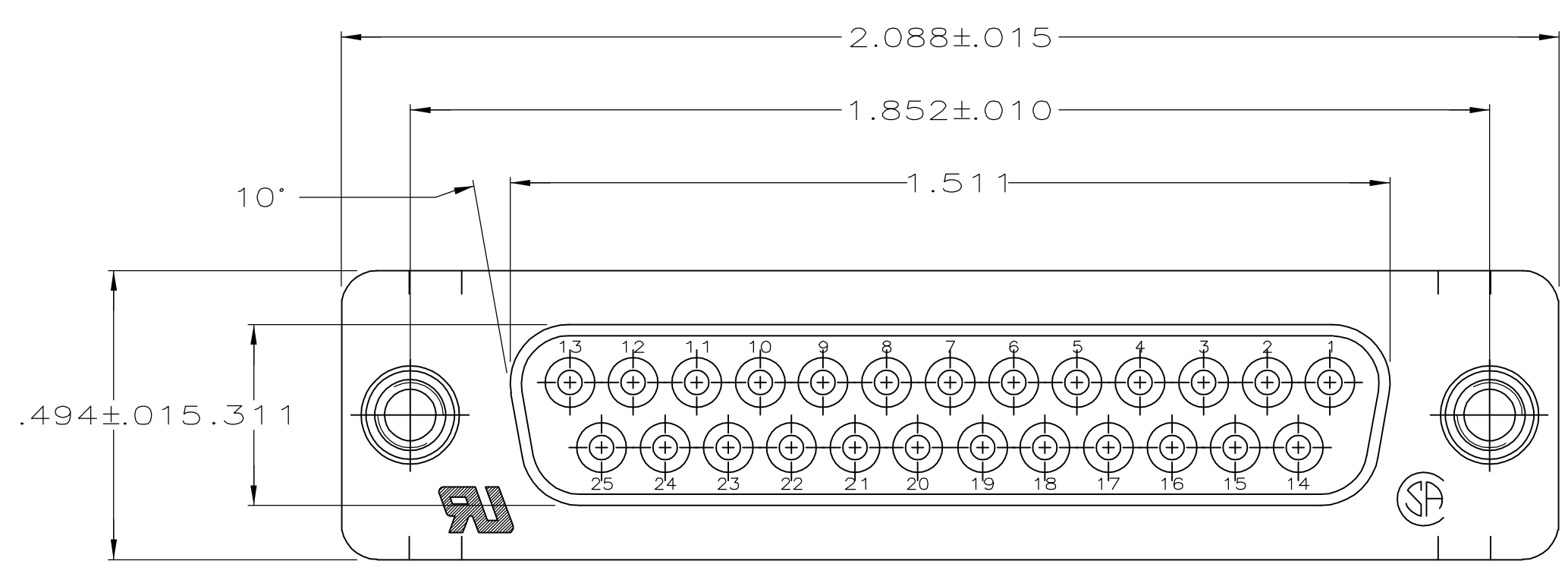


- 1 HOUSING: POLYESTER, UL 94V-0 RATED, COLOR BLACK.
SHELL: CARBON STEEL.
CONTACTS: PHOS BRONZE.
RETENTION SCREWLOCKS: BRASS.
- 2 SHELL: .000200 MIN TIN OVER .000100 MIN COPPER.
RETENTION SCREWLOCKS: .000100 MIN TIN OVER .000050 MIN NICKEL OVER COPPER FLASH.
CONTACTS: .000030 MIN GOLD FOR LENGTH OF .100 MIN FROM MATING END,
.000100 MIN TIN ON SOLDER END, ALL OVER .000050 MIN NICKEL ON ENTIRE CONTACT.
- 3. CONNECTORS PACKAGED IN TUBES IN QUANTITIES OF 10 PER TUBE.
- 4 DATUMS AND BASIC DIMENSIONS ESTABLISHED BY CUSTOMER.
- 5 .110 MAX IN SHELL TAB CLINCH AREAS.



PC BOARD MOUNTING DIMENSIONS
 CONNECTOR SIDE OF BOARD
 .062 PC BOARD THICKNESS

| | | | | |
|--|--------------|-----------------------------|-------------------|---|
| THIS DRAWING IS A CONTROLLED DOCUMENT. | | DWG: B. LATTUCA | 30SEPT05 | Tyco Electronics Corporation Harrisburg, PA 17105-3608 |
| DIMENSIONS: INCHES | | CHK: S. BOLASH | 30SEPT05 | |
| TOLERANCES UNLESS OTHERWISE SPECIFIED: | | AP'D: M. WALMSLEY | | NAME: RECEIPT ASSY, SIZE 3, 25 POSN, VERT, FRT METAL SHELL, RETENTION SCREWLOCKS, AMPLIMITE HD-20 |
| 0 PLC ± - | 1 PLC ± - | PRODUCT SPEC: 108-40025 | | RESTRICTED TO: - |
| 2 PLC ± - | 3 PLC ± .005 | APPLICATION SPEC: 114-40023 | | SIZE: A1 |
| 4 PLC ± - | ANGLES ± - | WEIGHT: - | DRAWING NO: 00779 | SCALE: 4:1 |
| MATERIAL: 1 | FINISH: 2 | CUSTOMER DRAWING | | SHEET 1 OF 1 |
| | | REV: A | | REV: A |